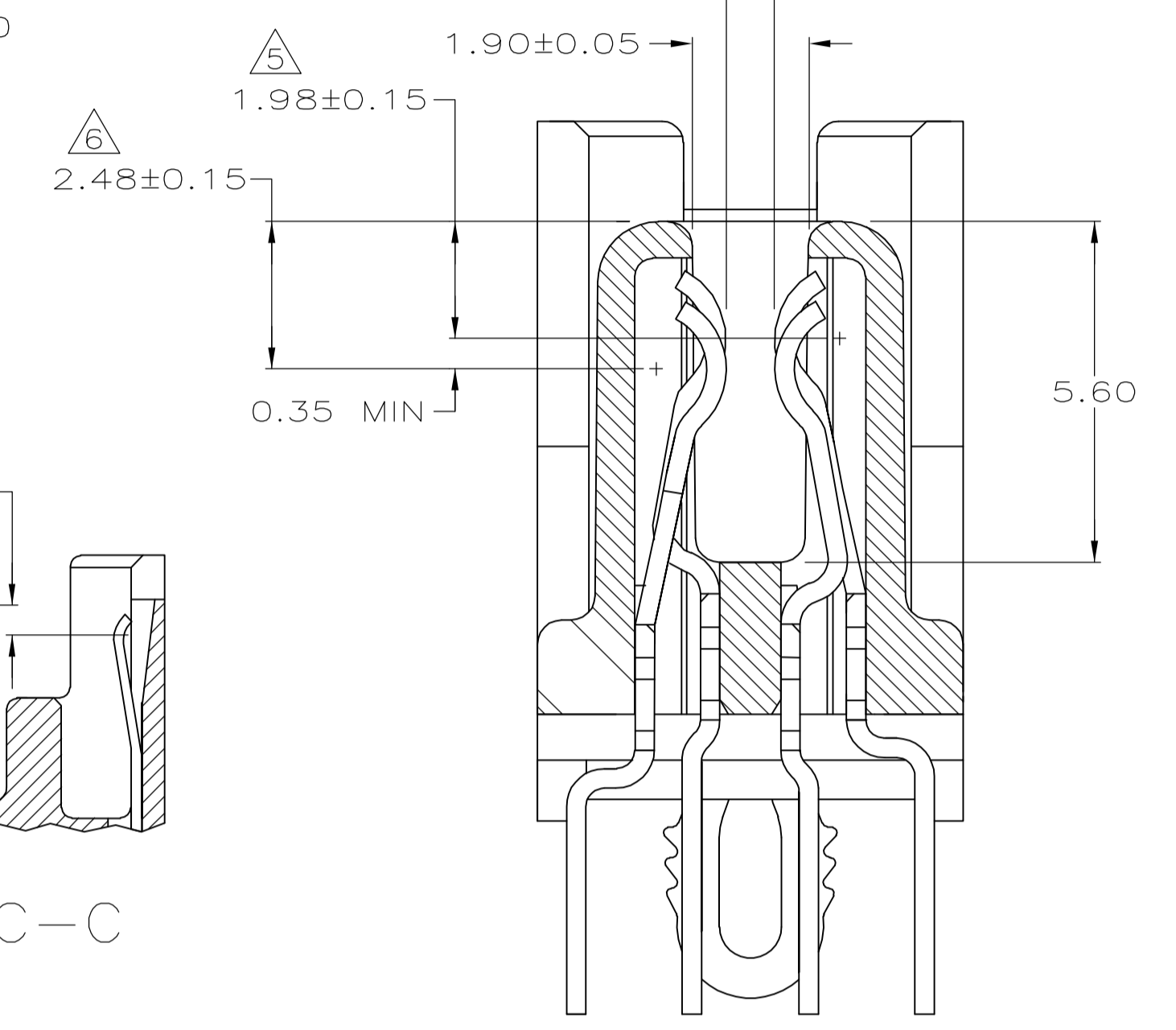
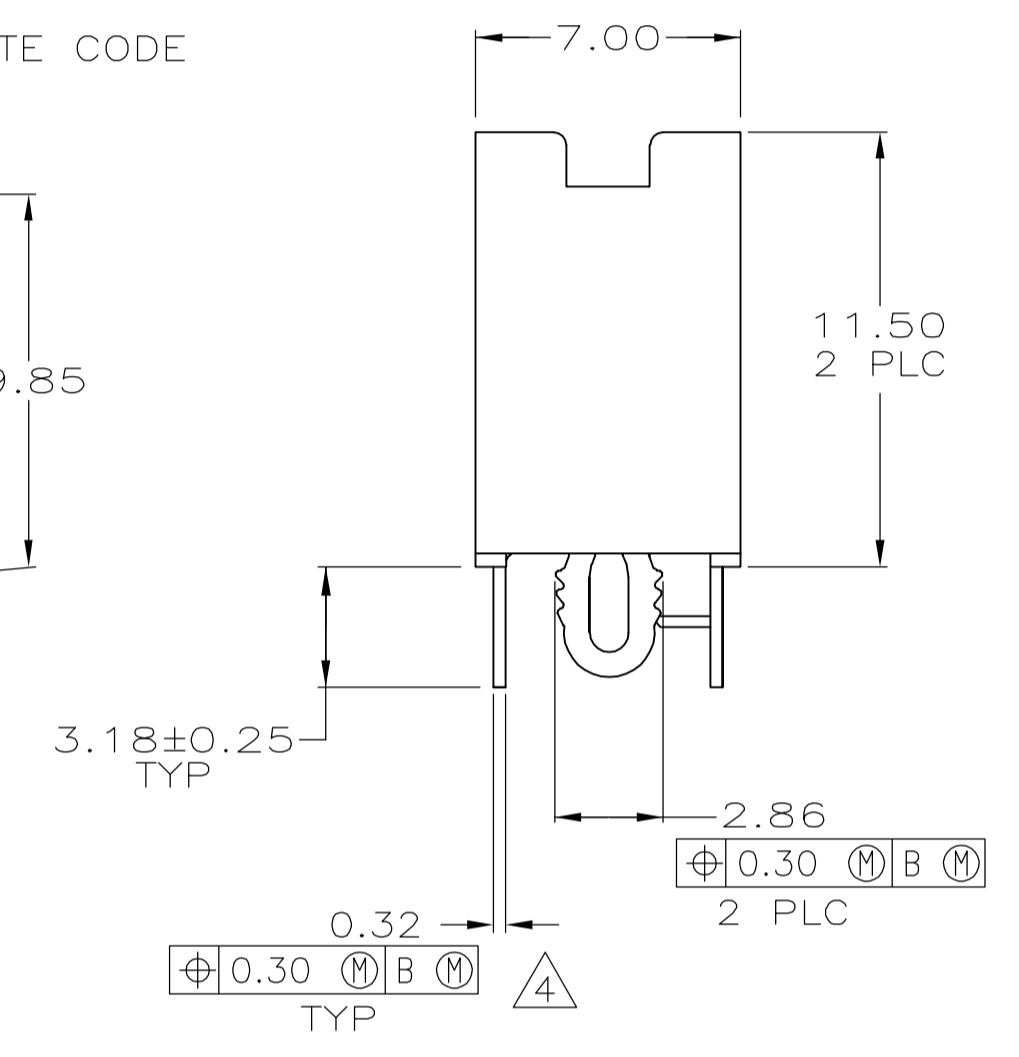
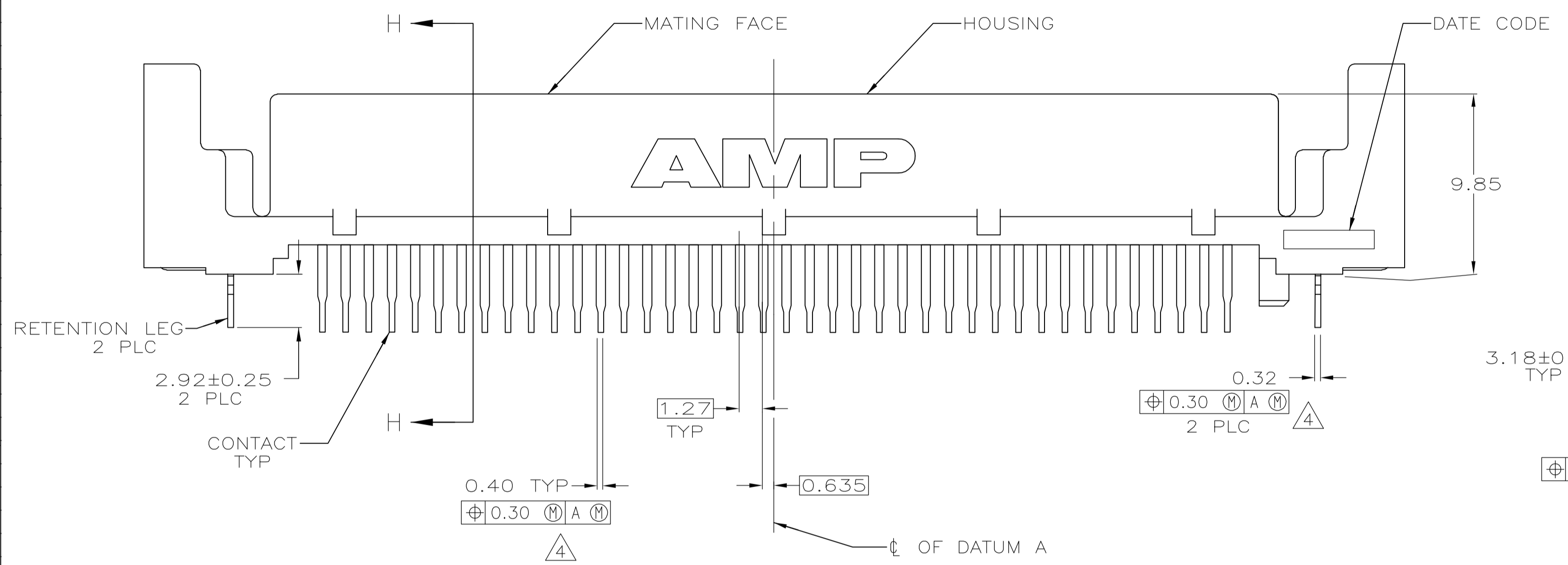


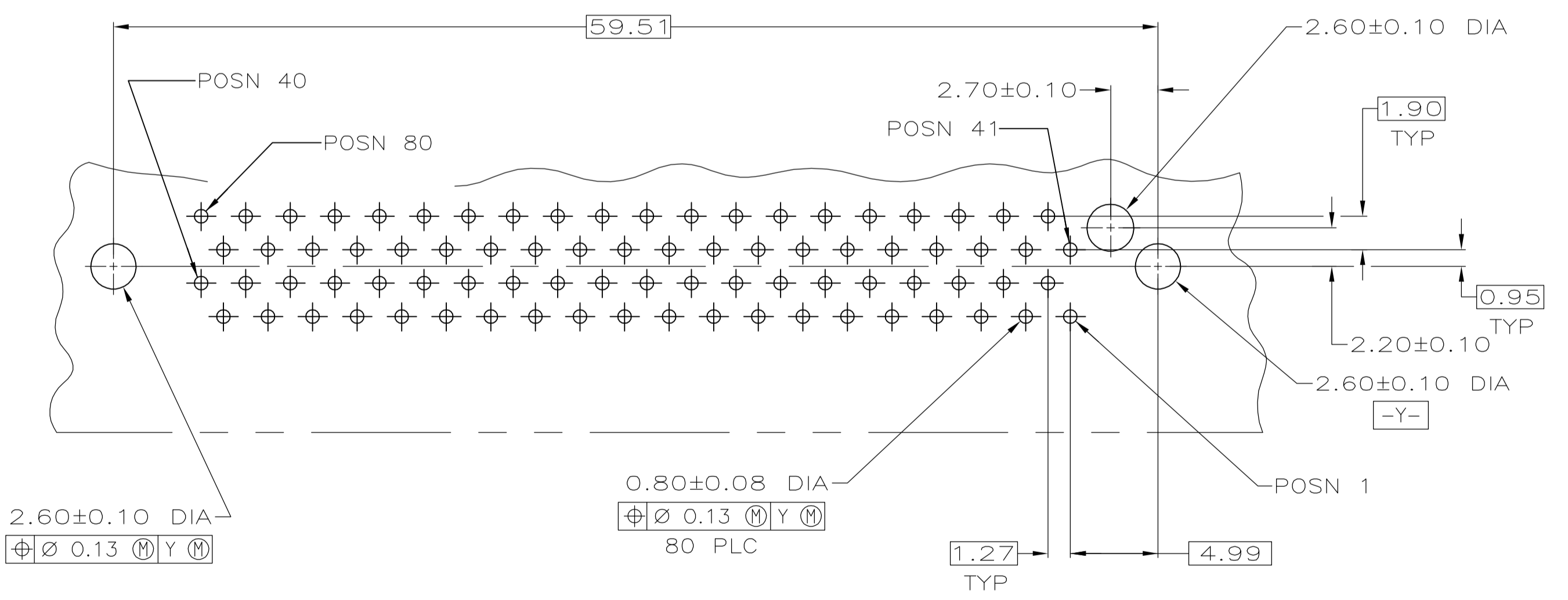
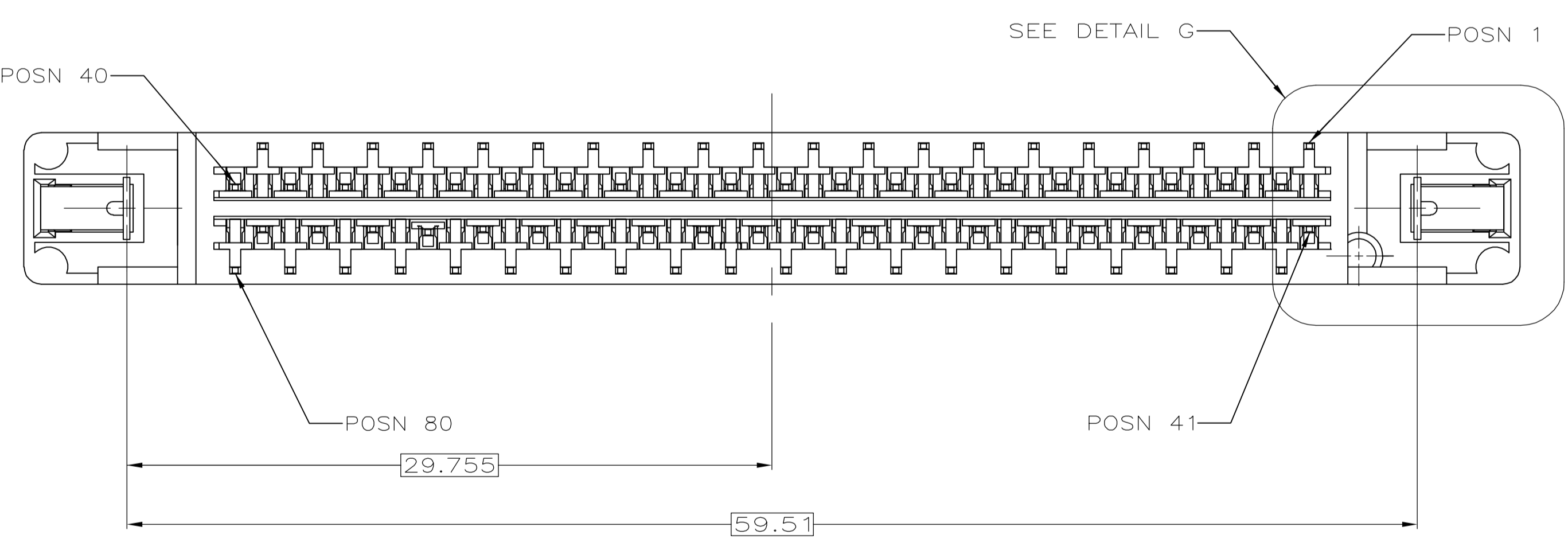
DETAIL G  
SCALE 10:1



SECTION H-H  
SCALE 10:1



SECTION C-C



RECOMMENDED PC BOARD  
MOUNTING DIMENSIONS  
COMPONENT SIDE  
SCALE 4:1

- △ HOUSING: LCP, UL 94V-0 RATED, BLACK.  
CONTACTS: PHOSPHOR BRONZE.  
RETENTION LEGS: BRASS.
- △ CONTACTS: 0.76 μm GOLD FOR A LENGTH 1.20 MIN STARTING 0.50 MAX FROM MATING END,  
3.81 μm MIN TIN-LEAD FOR A LENGTH OF 3.43 MIN FROM OPPOSITE END, BOTH OVER  
1.27 μm MIN NICKEL.
- △ CONNECTOR WILL ACCOMMODATE MATING PRINTED CIRCUIT BOARD OF 1.60±0.07 THICKNESS.
- △ POSITION TOLERANCE APPLIES AT CONTACT TIP ONLY.
- △ CONTACTS 1, 36 THRU 40, 41 THRU 43, 45, 46 AND 75 THRU 80 ARE POSITIONED TOWARD THE MATING FACE. (FIRST MATE)
- △ CONTACTS 2 THRU 35, 44, AND 47 THRU 74 ARE POSITIONED AWAY FROM THE MATING FACE. (SECOND MATE)
- △ RETENTION LEGS: 3.81 μm MIN TIN-LEAD OVER 1.27 μm MIN NICKEL.
- △ CONTACTS: 0.76 μm GOLD FOR A LENGTH 1.20 MIN STARTING 0.50 MAX FROM MATING END,  
3.81 μm MIN MATTE TIN FOR A LENGTH OF 3.43 MIN FROM OPPOSITE END, BOTH OVER  
1.27 μm MIN NICKEL.
- △ RETENTION LEGS: 3.81 μm MIN HALT TIN.

	89	80	787565-2
OBSOLETE	27	80	787565-1
FINISH	POSN	PART NUMBER	

THIS DRAWING IS A CONTROLLED DOCUMENT.

DIMENSIONS:	TOLERANCES UNLESS OTHERWISE SPECIFIED:	DIN 0 BROCKWAY 09-19-95	tyco Tyco Electronics Corporation
mm	0 PLC ± -	CHK R. STONE 09-20-95	Harrisburg, PA 17105-3608
	1 PLC ± -	APVD J. SWANK 09-21-95	NAME
	2 PLC ± 0.10	PRODUCT SPEC	RECEPTACLE ASSEMBLY, VERTICAL, CHAMP BLINDMATE .050 SERIES I
	3 PLC ± -	APPLICATION SPEC	108-1548
	4 PLC ± -	SIZE 114-6061	114-6061
	ANGLES ± -	WEIGHT	00779 C=787565
MATERIAL	FINISH SEE TABLE	CUSTOMER DRAWING	SCALE 5:1 SHEET 1 OF 1 REV H1